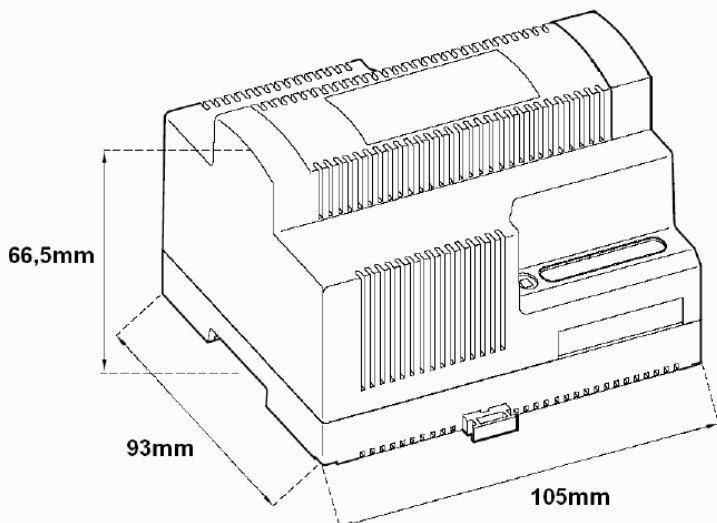
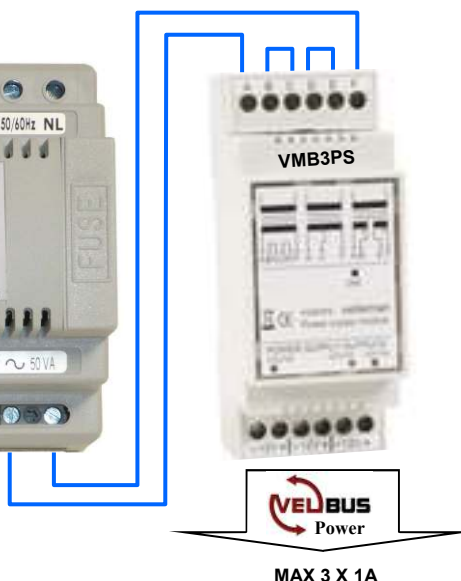




## DIN-rail transformer for Velbus

VMBTR1



- Rated Input Voltage = 230 Vac
- Rated Frequency = 50 Hz
- Secondary = 12Vac 50VA
- Max Ambient Temperature = 50°C
- Thermal protection: 100°C
- CASE = 6 module
- Safety standard = EN 61558