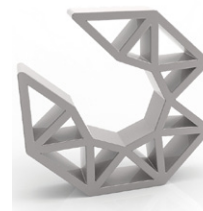
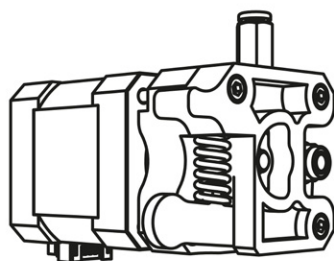
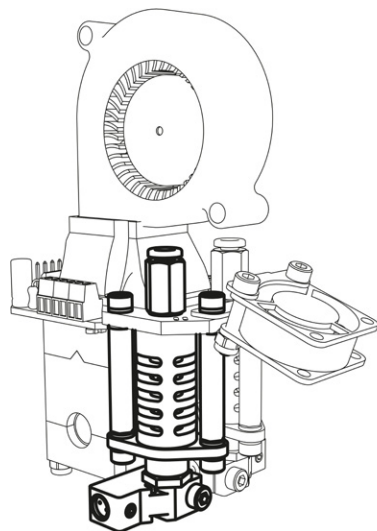


Second nozzle for Vertex 3D Printer

Component : K8402

Contains all necessary parts to convert your single extruder Vertex 3D printer into a dual extruder printer.



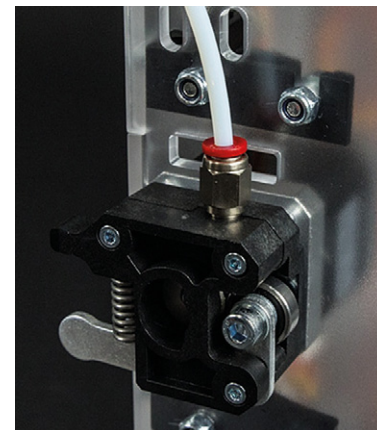
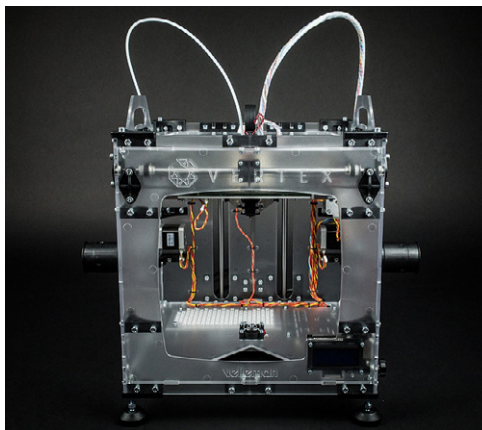
V E R T E X

includes

- 0.35mm extruder assembly
- Stepper motor
- Plug-in stepper motor driver
- All necessary hardware

Important

- At the factory, we have loaded your Vertex 3D printer controller board with dual extruder firmware.
- If you would like to use your Vertex as a single extruder printer, you will have to upload single extruder firmware.
<http://www.velleman.eu/downloads/files/vertex/firmware/vertex-m1-v1-h1.zip>
- If you have been using your Vertex as a single extruder printer and you are upgrading to dual extruder, then you will have to upload dual extruder firmware.
<http://www.velleman.eu/downloads/files/vertex/firmware/vertex-m1-v1-h2.zip>



www.vertex3dprinter.eu

